



SRI GOLJU FURNITURE INDUSTRIES (INDIA)®



Top drawer for storing petty cash



Bundle of notes being placed in depository drawer



2 Drawers with snap shut mechanism



Currency Bundle automatically drops down in to the safe storage cabinet

D-tel Plus

Depository Cabinet
WITH SNAP SHUT MECHANISM



Depository Cabinet

Bank cashiers have to handle a lot of cash in the form of over the counter transactions with customers. Periodically as the amount of cash collected increases, the cashier requires to store the bundled notes at his counter, until they are moved over to the vault room.

In spite of the security measures adopted, there is always a threat of theft/pilferage of this high volume of cash from cash counters. To further magnify the security challenge, the counters used for storage also are of suspect quality, with most being ordinary wooden drawer cabinets without any security measures.

Godrej with its more than 100 years' experience in designing Banking Security Products, introduces **D-Tel Plus: Depository Cabinet with snap shut mechanism**. With this, the drawers can be shut with a simple push, a feature which is enabled by a high precision lock. The drawers can then be opened only with the help of a key. Snap shut mechanism can be activated as required.

Its unique design makes handling and storing cash effortless and also provides immense security. It is a depository cabinet with two drawers and safe storage unit underneath. The first drawer is used for keeping the loose petty cash for over the counter transactions, while the second drawer is a depository drawer, which has a drop down depository mechanism. The bundle of cash, is placed in this drawer and when the drawer is closed shut, the currency bundle automatically drops down in to the safe storage cabinet below. This unique and convenient feature, ensures that the cashier can conveniently deposit large bundles of cash, without opening the safe storage unit. The second depository drawer has a unique in built anti fishing mechanism which makes the prying open of the second drawer to access the safe storage unit below virtual impossible.

The size of D-Tel Plus is such, that it can easily be fitted below a cash counter. It can also be bolted to the ground or to the side panel, thus making it more secure.

Features:

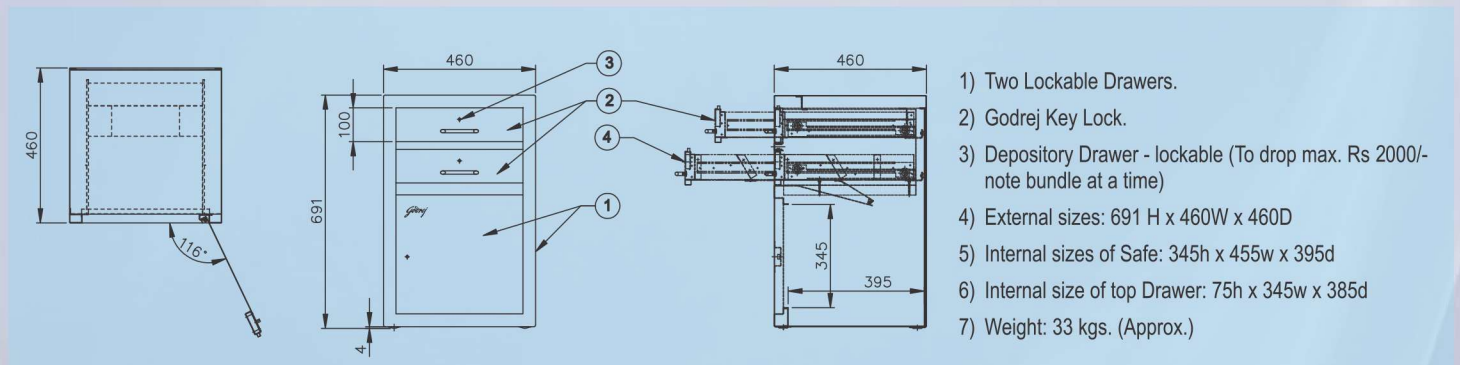
- Made from prime quality CRCA steel
- Multibend construction, welded structure with out a single rivet confers enormous strength to D-Tel Plus, making it not only structurally rigid, but also aesthetically appealing
- Fitted with high precision Godrej 6 lever lock for the storage unit.
- 2 Drawers with snap shut mechanism, each fitted with a Godrej 6 lever lock
- Two-tone powder coated finish, far superior to any liquid paint.
- Undergoes a 7-step anti-corrosion treatment that inhibits corrosion.
- Provision for anchoring/bolting it to the ground or side panel.

SPECIFICATIONS

External H*W*D (mm)	691 x 460 x 460
External H*W*D (inches)	27 1/2 x 18 1/8 x 18 1/8
Internal h*w*d (mm) Safe Storage Unit	345 x 455 x 395
No. of Drawers	2
Internal H*W*D (mm) Top Drawer	75 x 345 x 385

Tolerances: Weight: +/- 5% Dimensions: +/- 2%

All dimensions and weights are in metric system and are approximate.



After Sales Service Network: To meet the needs of the customer, Godrej has a wide sales and service network of over 20 branches, and 650 plus dealers in India and many more in the Middle East, Africa South East Asia SAARC Countries and North America.



SRI GOLJU FURNITURE INDUSTRIES (INDIA)®

www.srigoljufurniture.com



Mob. no. : 9927-073-844, 1800-123-777-778 (Toll Free)

Email : sales.srigoljufurniture@gmail.com

Sri Golju Tower, Opposite Jivan Daan Hospital, Moti Nagar Road Bareilly - Nainital Rd, Haldwani, Uttarakhand | 263139

Sri Golju Furniture Industries, GMS Road Village Kanwali Near JB Marvell, Shree Ram Tower, Dehradun, Uttarakhand | 248001